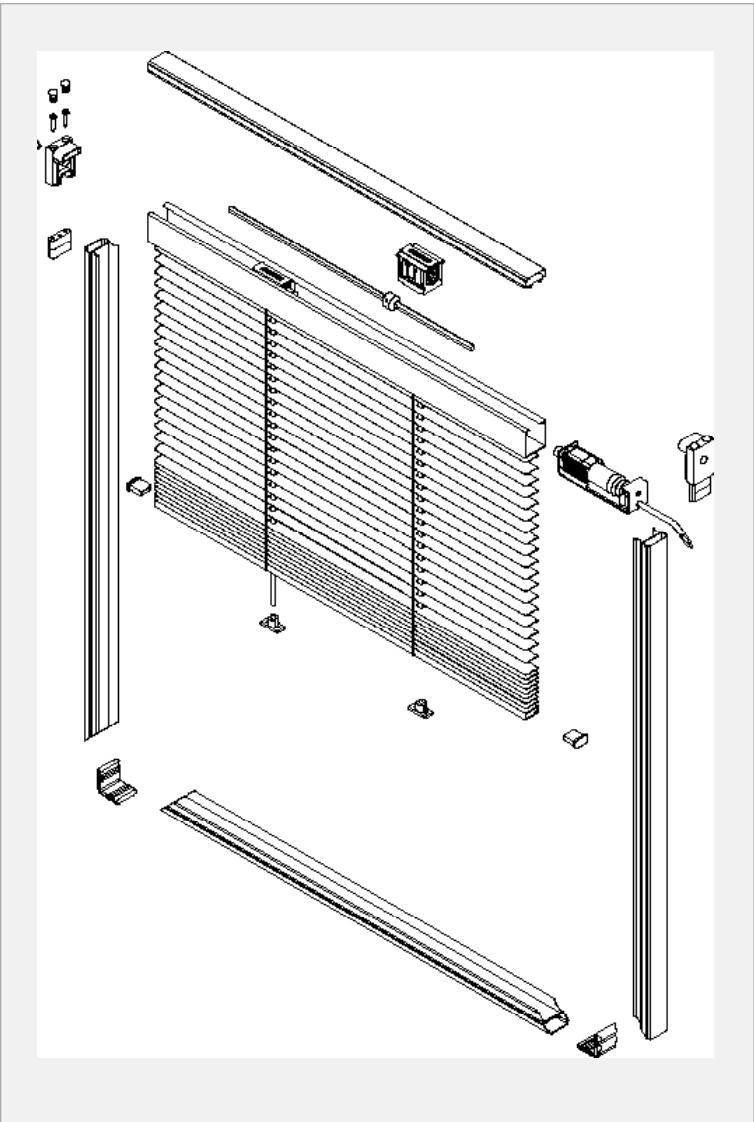


ISOLETTE® - Type I-06 / encoder motor



- System designation**
- ISOLETTE® - Type I-06 / MOD. 1
- Motor data**
- 24 volt encoder motor / DC with 4-wire cable
 - Standard cable length 4 metres, Special lengths possible
 - Motor and gear unit easily interchangeable
- Electrical parts and accessories**
- Transformer 24 V /DC
 - Control relay for individual, group and central control

- Functions**
- Raise
 - Lower
 - Turn
 - Reverse
- Dimensions**
- W approx. 400 to 3200 mm
H approx. 300 to 3000 mm
- At window pane sizes over an area of 4 m², a tandem/double hanger is designed. The maximum width dimension with a hanger is approx. 2600 mm.
- Maximum production size on request.



Stacking heights approx. in mm

	H	P
	500	90
	750	95
	1000	100
	1250	110
	1500	115
	1750	125
	2000	130
	2250	135
	2500	150
	2700	155
	3000	160

H = Window pane height

Subject to technical modifications.

ISOLETTE® - Type I-06 / CAN

System designation

- ISOLETTE® - Type I-06 / CAN

Motor data

- CAN motor 24 Volt / DC with incremental encoder and external protection board against reverse polarity, and 6-pin connector cable
- Cable length 8 meters standard, Special lengths are possible
- Motor and gear unit easily interchangeable

Electrical parts and accessories

- Transformer 24 V / DC
- CAN board
- CAN PC interface
- CAN software for PC



ISOLETTE® - Type I-06 / III-MAX



System designation

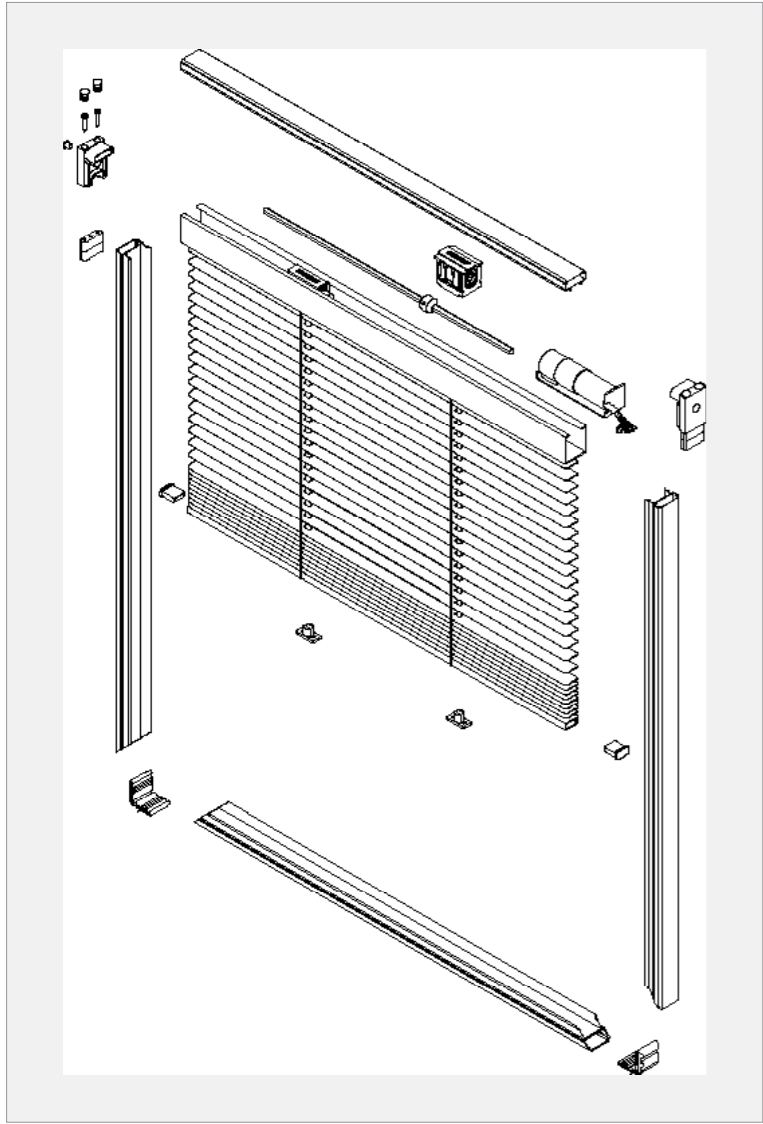
- ISOLETTE® - Type I-06 / III MAX

Motor data

- Motor encoder 24 volt / DC with 4-pin cable
- Standard cable length 4 metres, Special lengths possible
- Motor and gear unit easily interchangeable

Electrical parts and accessories

- Transformer 24 V / DC
- Control relay for individual, group and central control



Functions

- Raise
- Turn
- Lower
- Reverse

Dimensions

W approx. 320 to 3200 mm
H approx. 300 to 3000 mm

At window pane sizes over a 4 m² surface, a continuous hanger with 2 motors may be used. The maximum width dimension here is approx. 2600 mm.

Maximum production size on request.

Stacking heights approx. in mm

H	P
500	90
750	95
1000	100
1250	110
1500	115
1750	125
2000	130
2250	135
2500	155
2700	155
3000	160

H = Window pane height

Subject to technical modifications.

Functions

- Raise
- Turn
- Lower
- Reverse

Dimensions

W approx. 400 to 3200 mm
H approx. 300 to 3000 mm

At pane sizes over an area of 4 m², a tandem/double hanger is designed. The maximum width dimension with a hanger is approx. 2600 mm.

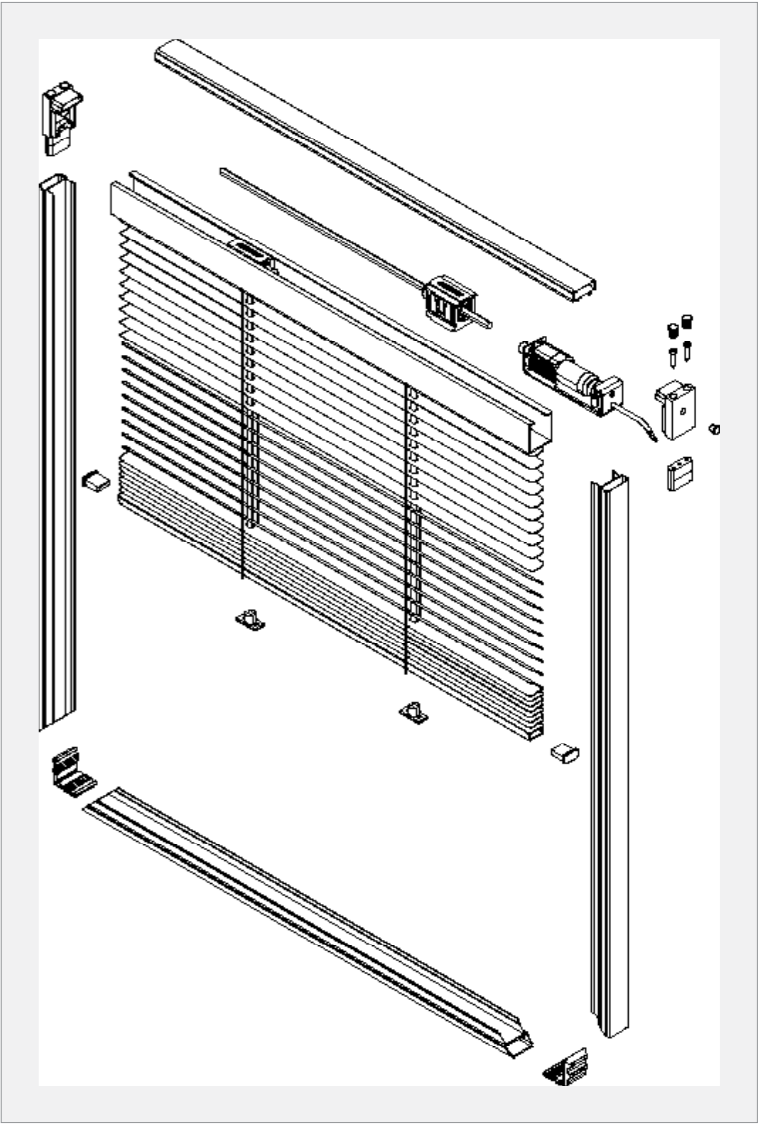
Maximum production size on request.

Stacking heights approx. in mm

H	P
500	90
750	95
1000	100
1250	110
1500	115
1750	125
2000	130
2250	135
2500	150
2700	155
3000	160

H = Window pane height

Subject to technical modifications.



ISOLETTE® - Type I-06 / Turning + Reversing

System designation

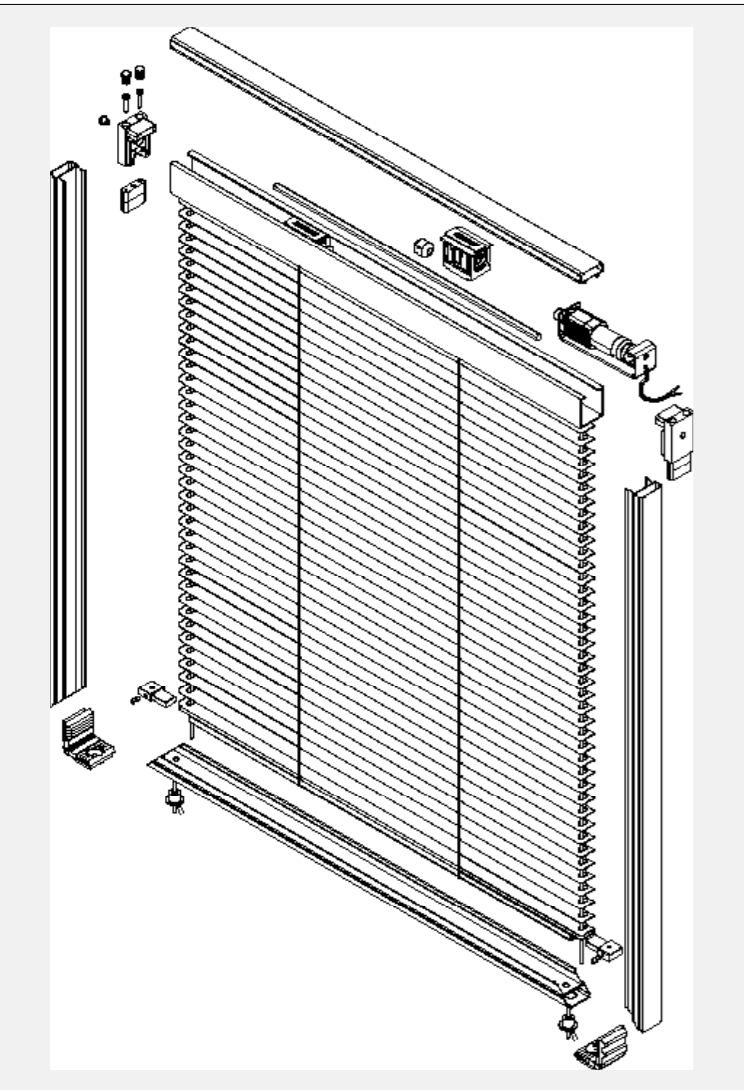
- ISOLETTE® - Type I-06 / MOD. 4

Motor data

- Motor 24 Volt / DC with reverse gear and 2-pin
- Standard cable length 4 metres, Special lengths are possible
- Motor and gear unit are easily interchangeable

Electrical parts and accessories

- Transformer 24 V / DC
- Impulse control relay for individual, group and central control



Functions

- Turn
- Reverse

Dimensions

W approx. 300 to 2600 mm
H approx. 300 to 3000 mm

Maximum production size on request.

Applications

The ISOLETTE® - Model 4 for „turning“ and „reversing“ in addition to the scope of application in the façade is optimal for use in offices, conference and meeting rooms.

As a room divider or partition, the ISOLETTE® prevents unwanted views or opens individually adjustable transparency.

The combination of blind and double glazing ensures privacy and well-being in the workplace.

Subject to technical modifications.

ISOLETTE® - Type I-06 / System Artists house

System designation

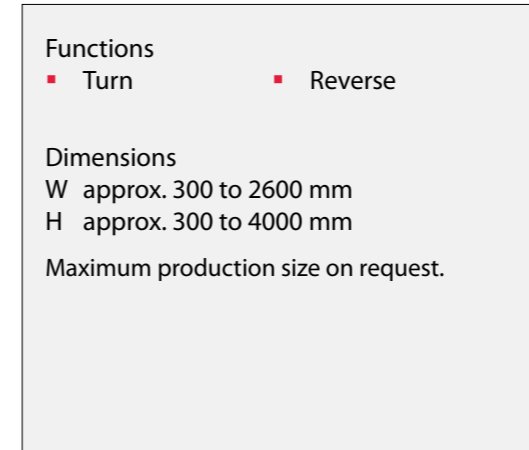
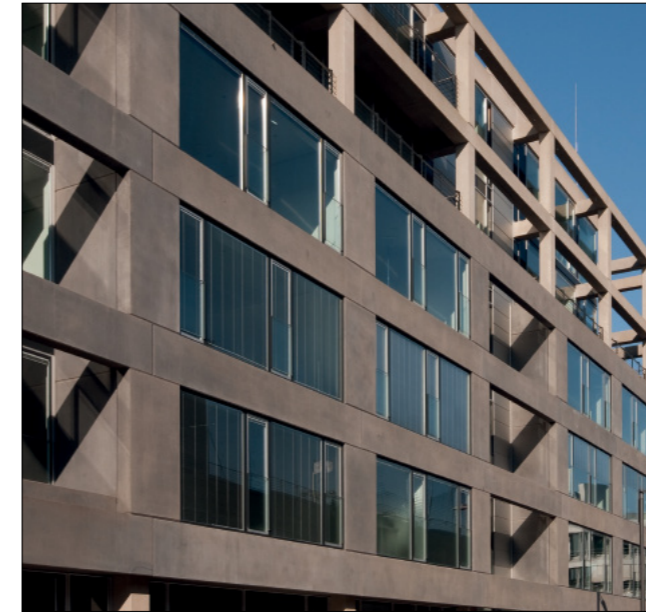
- ISOLETTE® - Type I-06 / MOD. CH

Motor data

- Motor 24 Volt / DC with reverse gear and 2-pin connecting cable
- Standard cable length 4 metres, Special lengths are possible
- Motor and gear unit are easily interchangeable

Electrical parts and accessories

- Transformer 24 V / DC
- Impulse control relay for individual, group and central control



Functions

- Turn
- Reverse

Dimensions

W approx. 300 to 2600 mm
H approx. 300 to 4000 mm

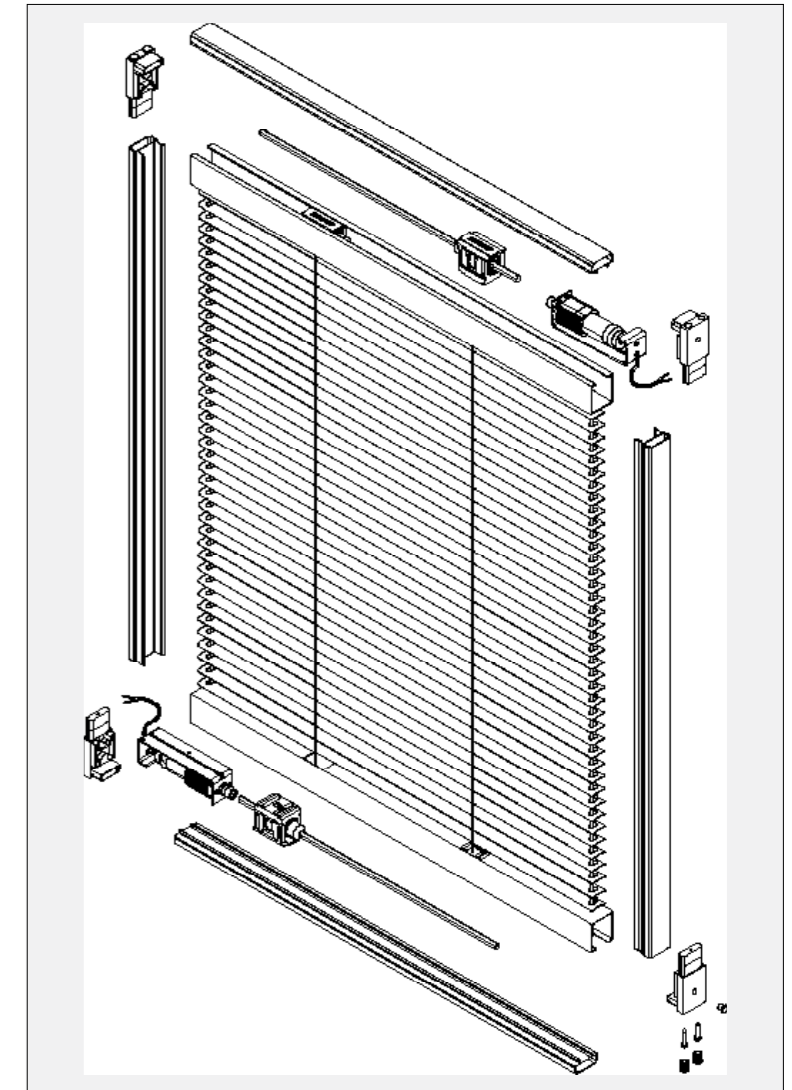
Maximum production size on request.

Artist's house System

The artist's house system (Model KH) is a special development for the implementation of window pane heights up to 4000 mm.

The use of a second system box in the lower region of the pane in conjunction with an additional drive, enables consistent „Turning“ and „Reversal“ of very large hangers.

Subject to technical modifications.



ISOLETTE® - Type I-Roof

- System designation**
- ISOLETTE® - Type I-Roof with 2 motors in diagonal use
- Motor data**
- Motor 24 Volt / DC with reversing gear and 2-pin connection cable
 - Standard cable length 4 metres, Special lengths are possible
 - Motor and gear unit easily interchangeable
- Electrical parts and accessories**
- Transformer 24 V / DC
 - Impulse control relay for individual, group and central control



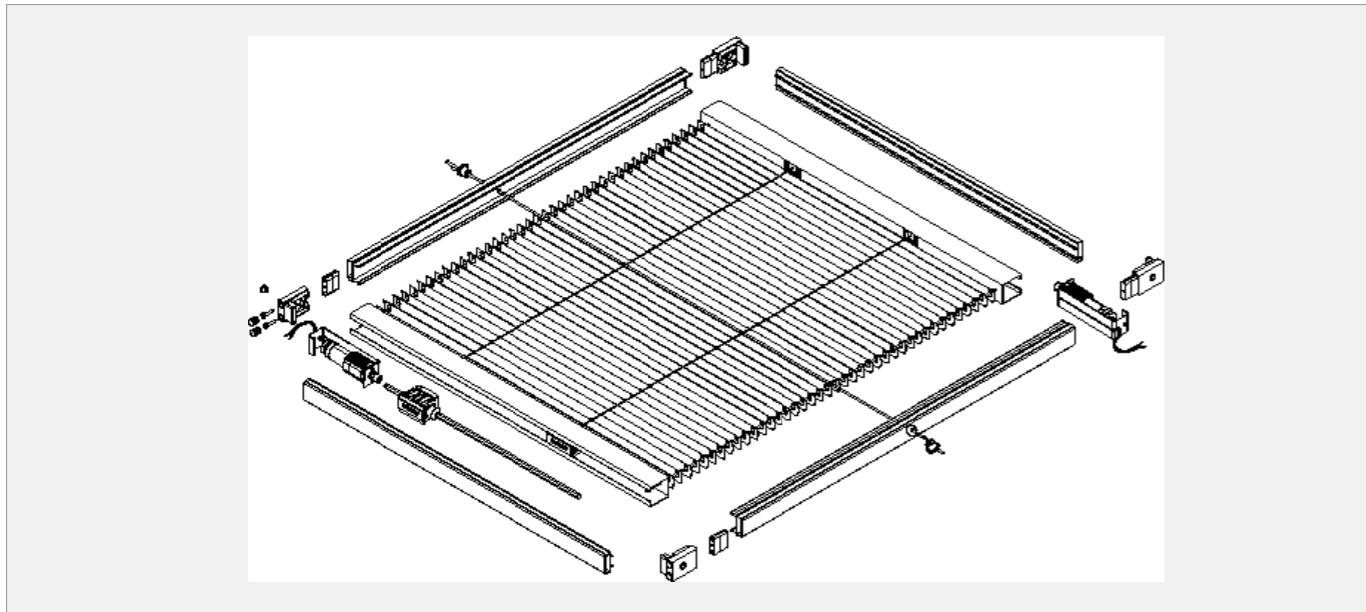
Applications

The ISOLETTE® - I-System Roof was designed specifically for a wide range of applications in the roof area.

Vertically and horizontally integrated steel cables prevent contact of blind and glass.

By using an additional motor, which is installed diagonally offset in the second system box provides a uniform „Turning“ and „Reversing“ over the entire blind area.

- Functions**
- Turn
 - Reverse
- Dimensions**
- W approx. 400 to 1000 mm
H approx. 300 to 2000 mm
- Model also available as a cone pulley.
Maximum production size on request



Subject to technical modifications.

ISOLETTE® - Type I-09 Crank



- System designation**
- ISOLETTE® - Type I-09 Crank
- Crank and accessories**
- Crank by default in the colour grey
 - The standard length of the crank is about 2/3 of the pane height
 - Crank also possible in a removable model
 - Crank brackets are included in the delivery scope
 - Installation conditions see page 2.12

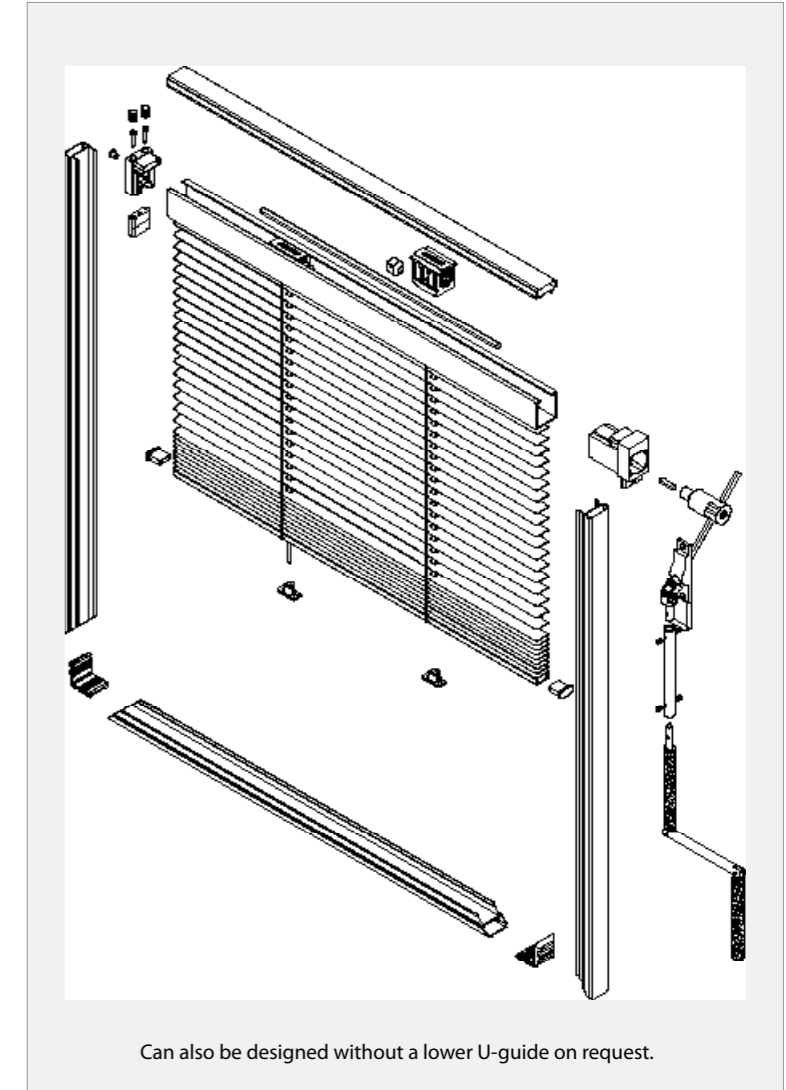
- Functions**
- Raise
 - Lower
 - Turn
 - Reverse
- Dimensions**
- W approx. 400 to 3200 mm
H approx. 300 to 2700 mm
- At disc sizes over an area of 4 m², a double curtain is designed. The maximum width dimension with a curtain is approx. 2600 mm.
- Maximum production size on request.

Stacking heights approx, in mm

H	P
500	90
750	95
1000	100
1250	110
1500	115
1750	125
2000	130
2250	135
2500	150
2700	155
3000	160

H = Window pane height

Subject to technical modifications.



Can also be designed without a lower U-guide on request.

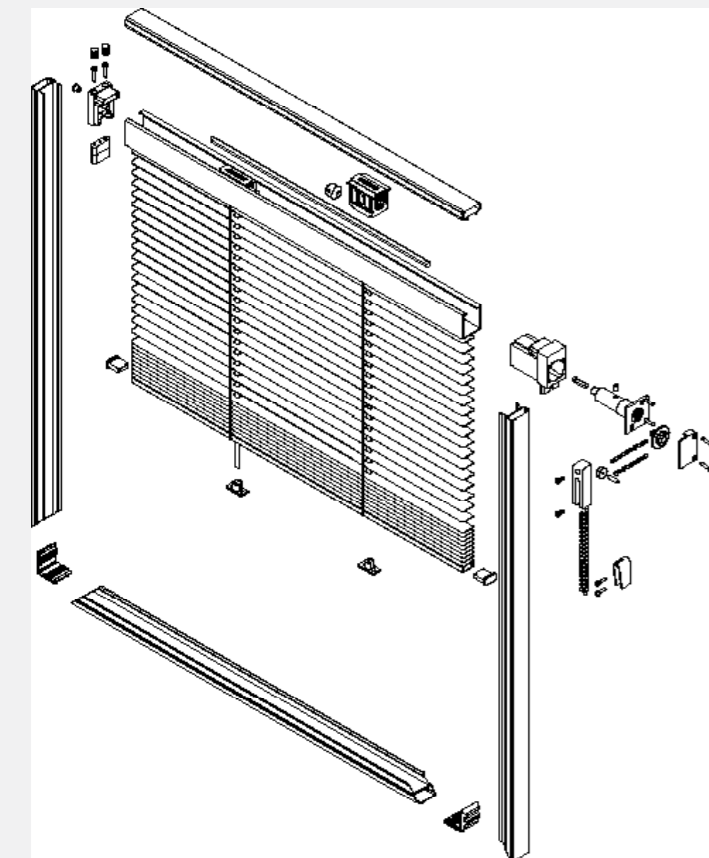
ISOLETTE® - Type I-10 Bead chain

System designation

- **ISOLETTE® - Type I-10 Bead chain**

Chain of beads and accessories

- Chain of beads available in shades of white, grey
- The standard length of the bead chain is about 2/3 of the pane height
- With heavy hangers, the bead chain is stabilised with a special fastening device
- Bead chain fastening device included in the delivery scope
- Installation conditions see page 2.13



Can also be designed without a lower U-guide on request

Functions

- Raise
- Lower
- Turn
- Reverse

Dimensions

W approx. 400 to 2200 mm
H approx. 300 to 2700 mm

For pane sizes over an area of 4 m², a double hanger is used. The maximum width dimension with a curtain is approx. 2600 mm.

Maximum production size on request.

Stacking heights approx. in mm

H	P
500	90
750	95
1000	100
1250	110
1500	115
1750	125
2000	130
2250	135
2500	150
2700	155
3000	160

H = Window pane height

Subject to technical modifications.

ISOLETTE® - Type I-11 Rotary knob

System designation

- **ISOLETTE® - Type I-11 Rotary knob with flexible shaft**

Rotary knob and accessories

- Colour of the knob silver grey as standard
- Length of the flexible shaft can be defined as needed
- Installation conditions see page 2.14



Functions

- Turn
- Reverse

Dimensions

W approx. 300 to 3200 mm
H approx. 300 to 2700 mm

A double hanger is used for pane sizes of a surface of more than 4 m². The maximum width dimension with a curtain is approx. 2600 mm.

Maximum production size on request.

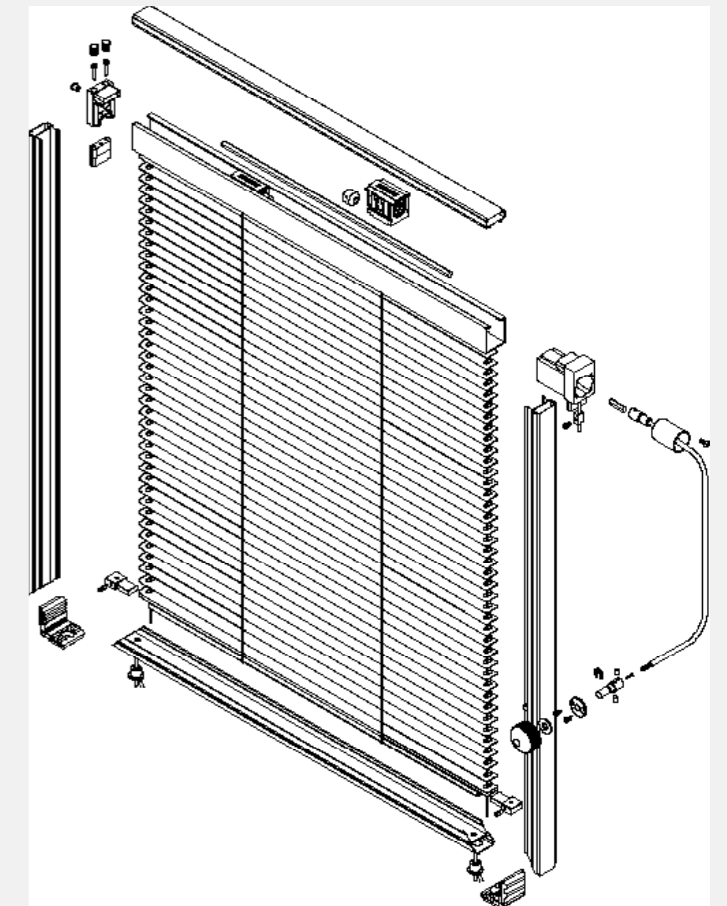
Applications

The **ISOLETTE®** - Rotating knob system for „turning“ and „reversing“ is best suited for use in offices, conference and meeting rooms.

As a room divider or partition, the **ISOLETTE®** prevents unwanted views or opens individually adjustable transparency.

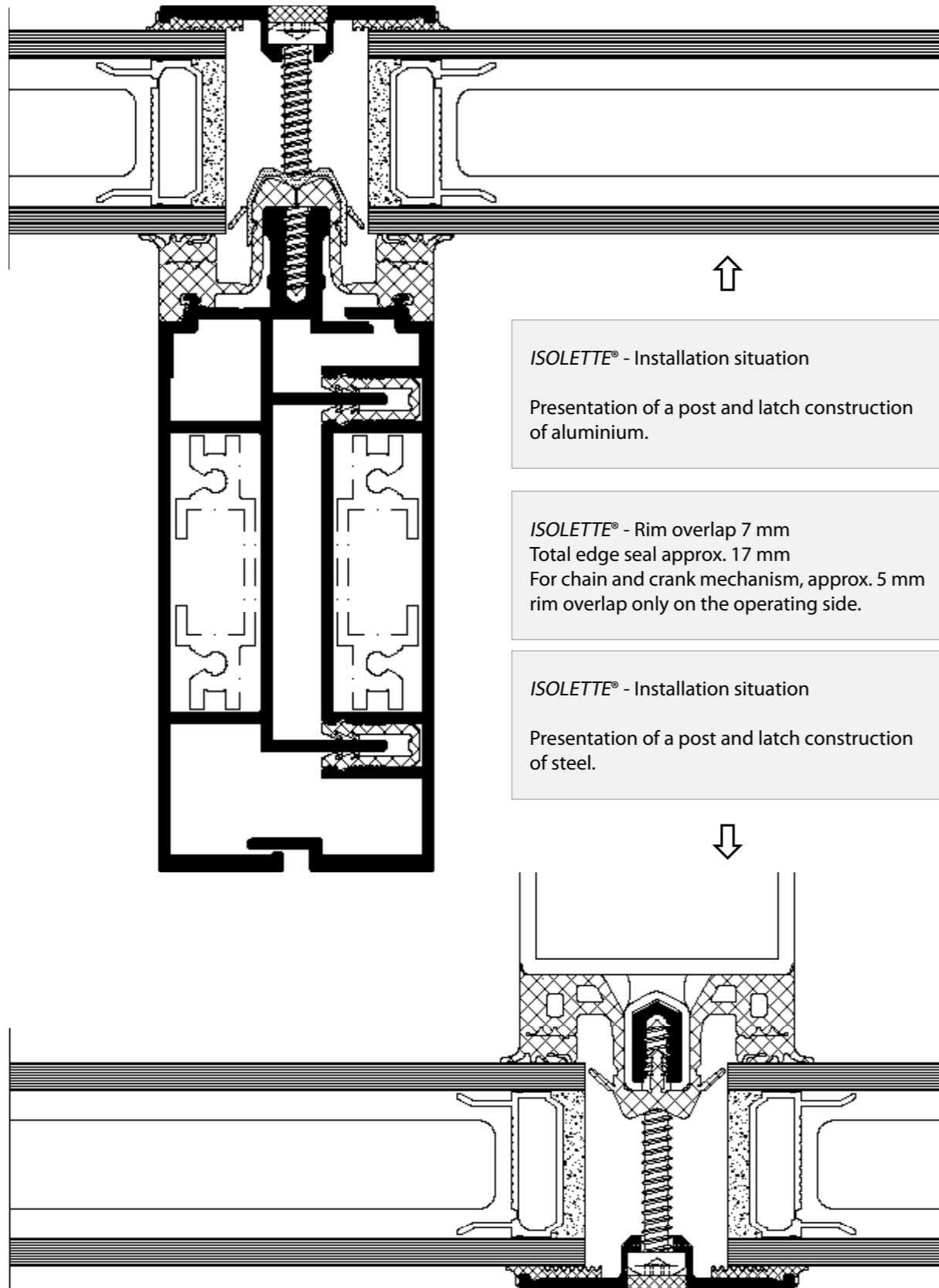
The combination of blind and double glazing ensures privacy and well-being in the workplace.

Subject to technical modifications.



Can also be designed without a lower U-guide on request.

ISOLETTE® - Installation situation/post and latch construction



ISOLETTE® - Installation situation
Presentation of a post and latch construction of aluminium.

ISOLETTE® - Rim overlap 7 mm
Total edge seal approx. 17 mm
For chain and crank mechanism, approx. 5 mm rim overlap only on the operating side.

ISOLETTE® - Installation situation
Presentation of a post and latch construction of steel.

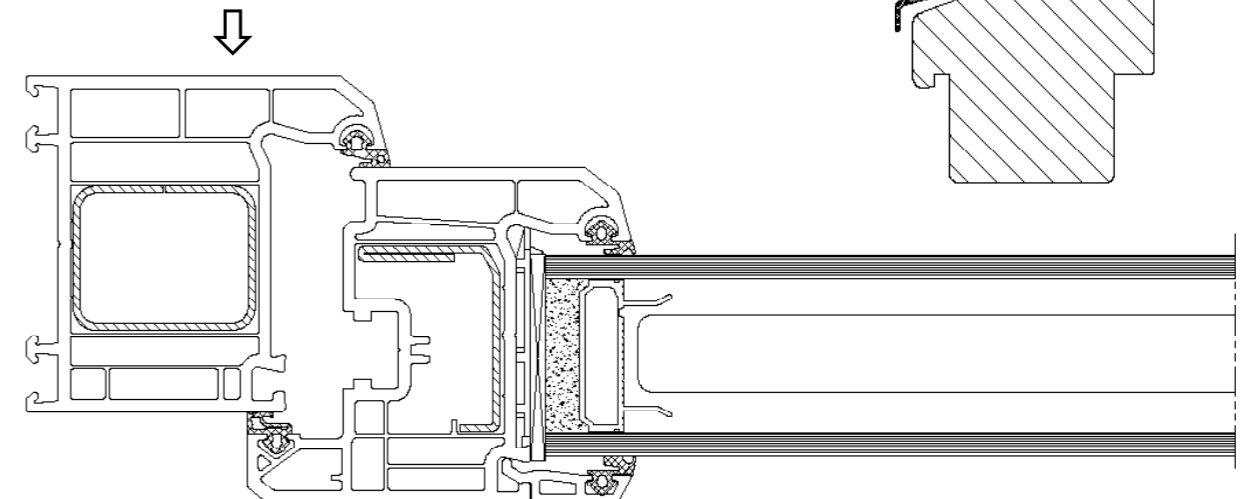
Subject to technical modifications.

ISOLETTE® - Installation situation/window frame construction

ISOLETTE® - Installation situation
Presentation for installation in a wooden window.

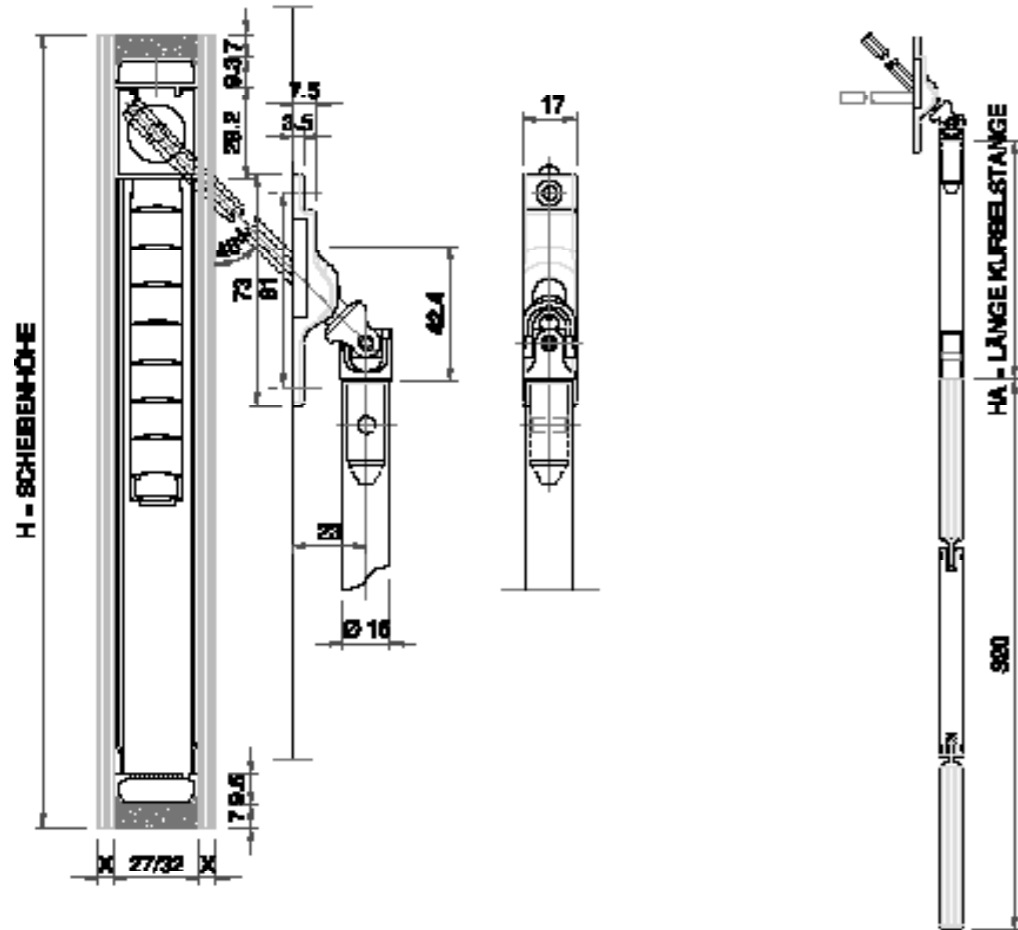
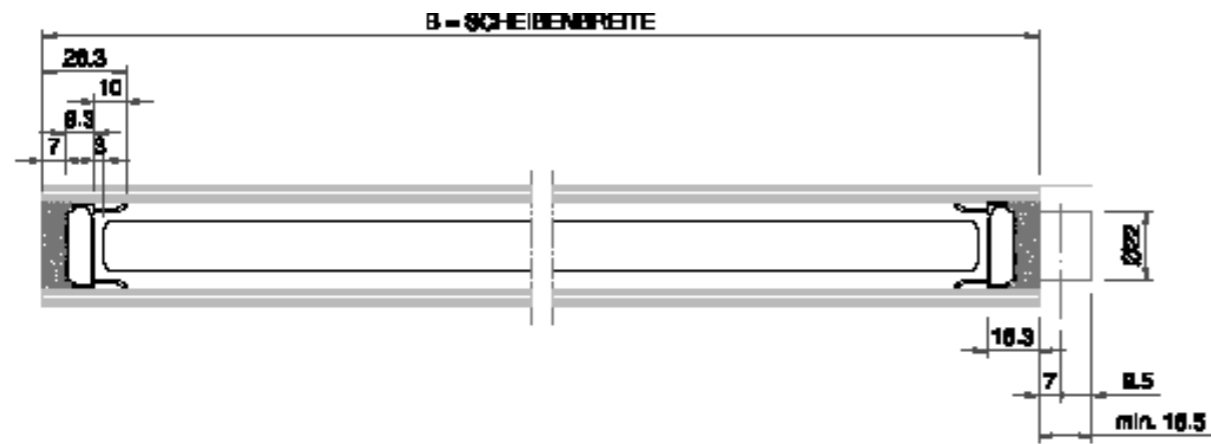


ISOLETTE® - Installation situation
Presentation for the installation in a plastic window.



Subject to technical modifications.

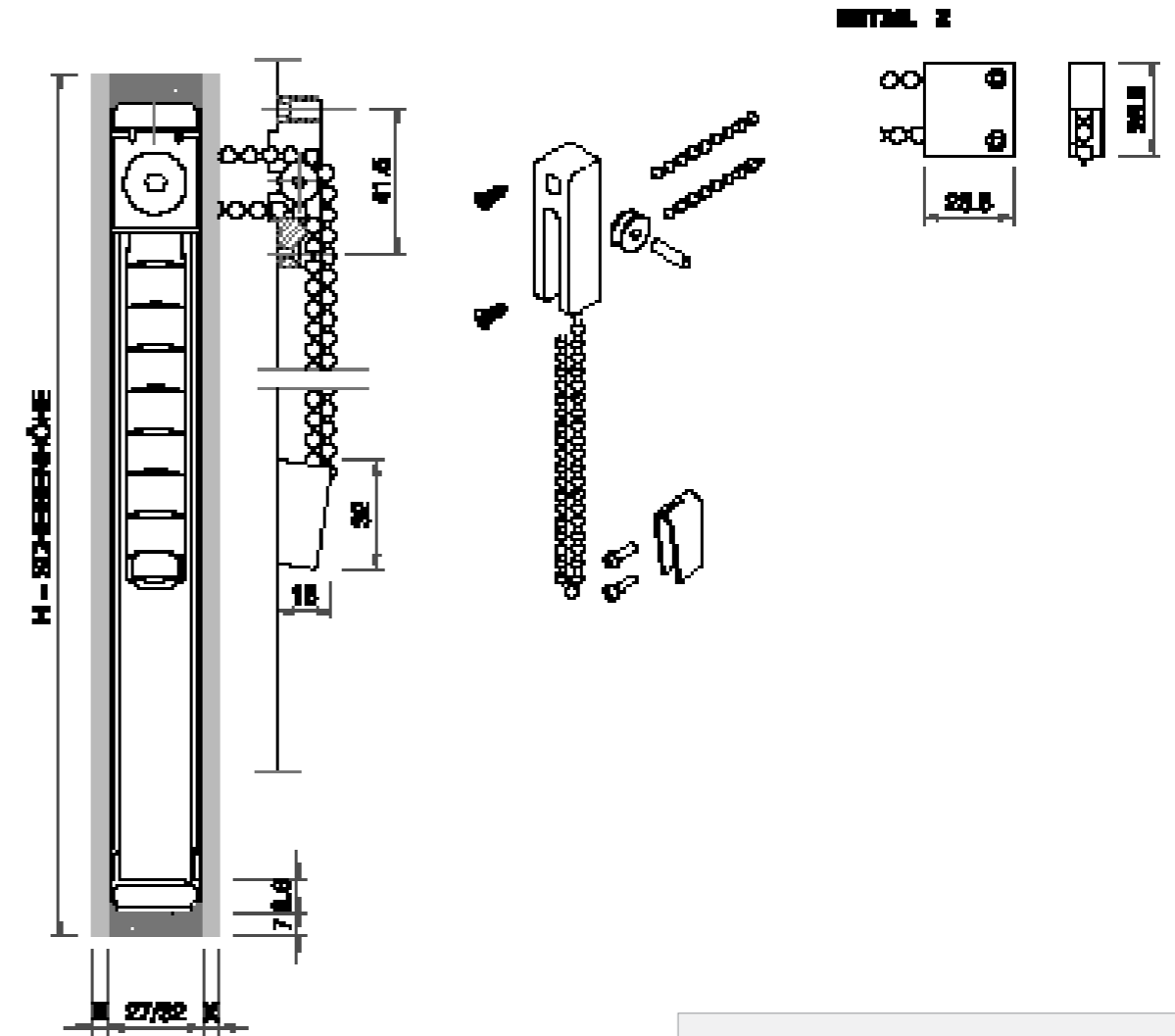
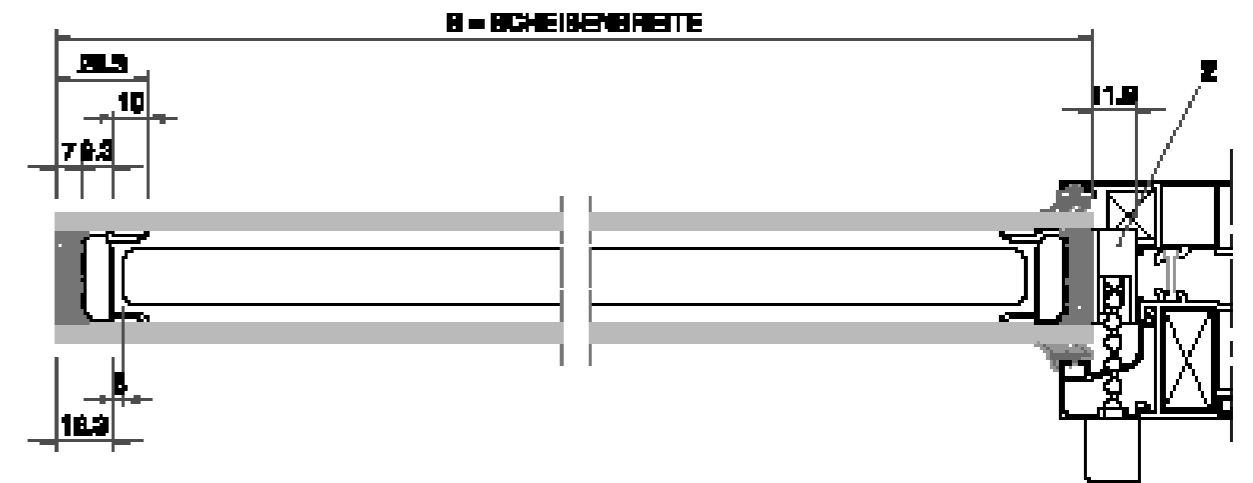
ISOLETTE® - Type I-09 Crank/sectional drawing



ISOLETTE® - Rim overlap 7 mm
Total edge seal approx. 17 mm
For chain and crank mechanism, approx. 5 mm rim overlap only on the operating side.

Subject to technical modifications.

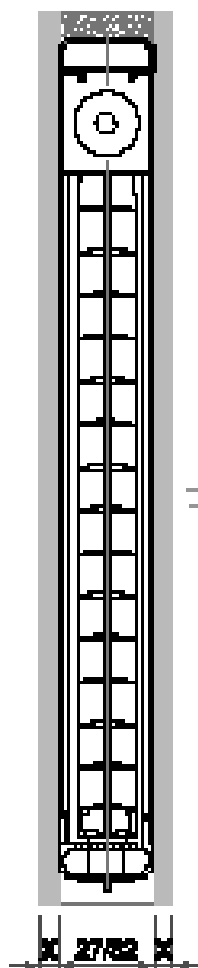
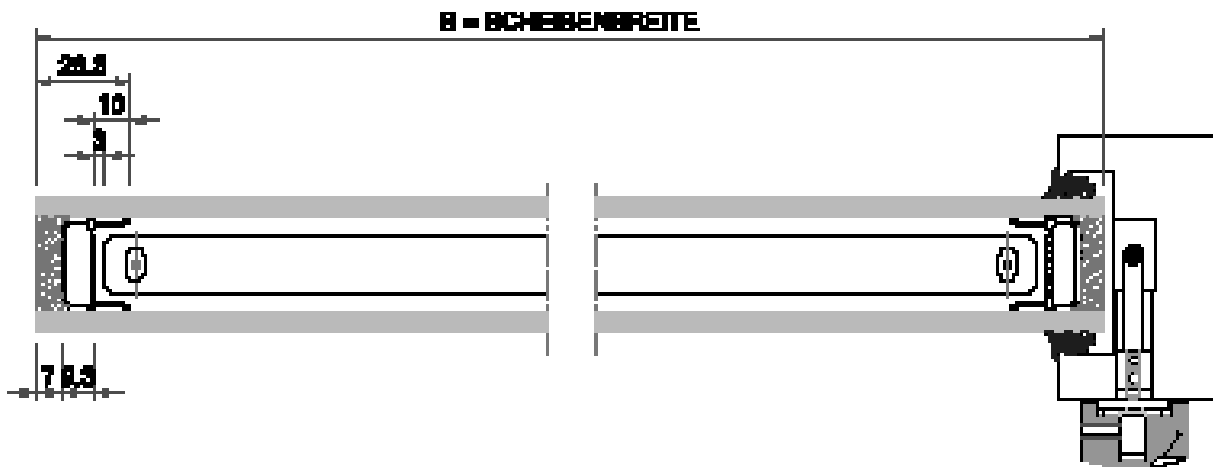
ISOLETTE® - Type I-10 Bead chain/sectional drawing



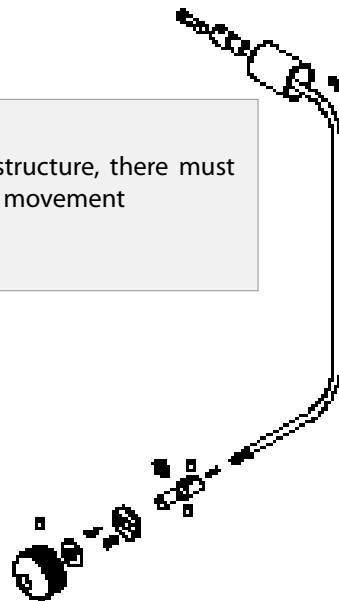
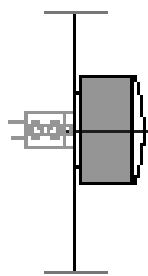
ISOLETTE® - Rim overlap 7 mm
Total edge seal approx. 17 mm
For chain and crank mechanism, approx. 5 mm rim overlap only on the operating side.

Subject to technical modifications.

ISOLETTE® - Type I-11 Rotary knob/sectional drawing



When installed in this structure, there must be sufficient freedom of movement of the flexible shaft.



ISOLETTE® - Rim overlap 7 mm
Total edge seal approx. 17 mm
For chain and crank mechanism, approx. 5 mm rim overlap only on the operating side.