

*System*

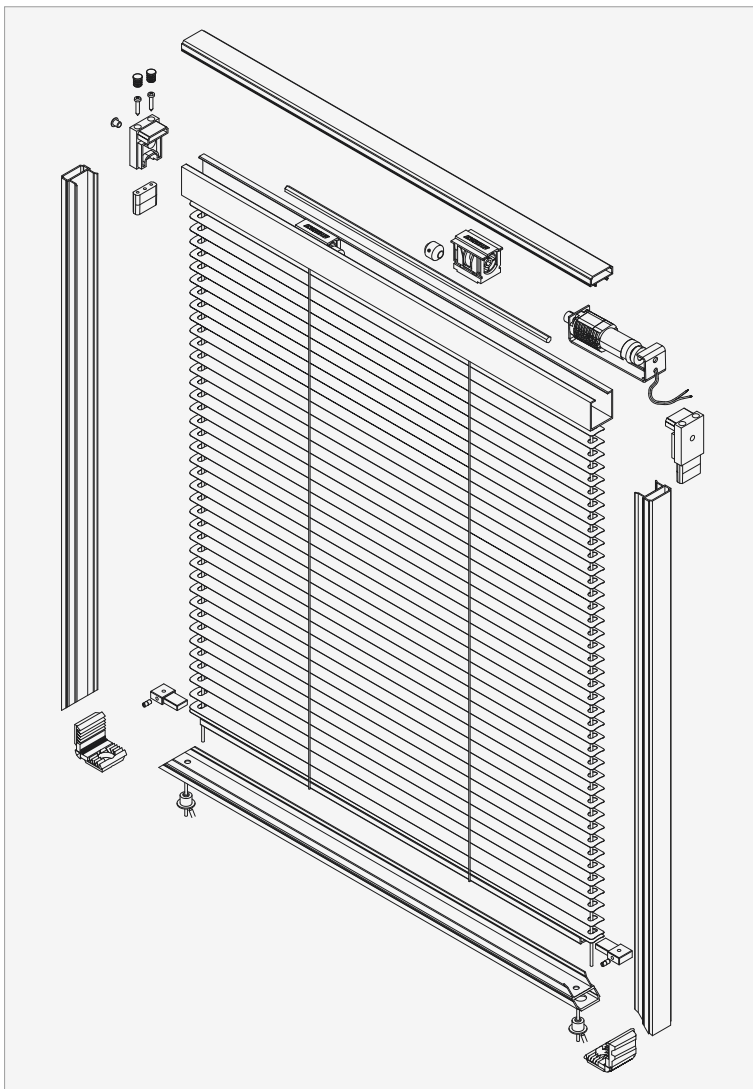
- **ISOLETTE®** - TYPE I-06 / MOD. 4

*Motor Data*

- Motor 24 Volt / DC  
Tilting-drive with 2-wire cable
- Cable length 4 mtrs. (standard)  
Optional: 8, 15 or 20 mtrs.
- Motor and drive changeable on site

*Electronic Accessoires*

- Transformer 230 V / AC to 24 V / DC
- Impulse-controller (Relais)  
for single, group or central control



*Functions*

- blind-tilting
- open/close

*Dimensions*

W ca. 400 to 2600 mm  
H ca. 300 to 3000 mm

Maximum dimension on demand.

*Application*

The **ISOLETTE®** - Modell 4 „Tilting-drive“ serves to be applied in façades as well as in interior constructions and partition walls like hospital, office or conference rooms.

Undesirable insights could be prevented.  
Transparency could be infinitely variable.

The combination of blinds and insulating glass in one unit creates privacy, wellbeing and comfort on workplaces and private areas.