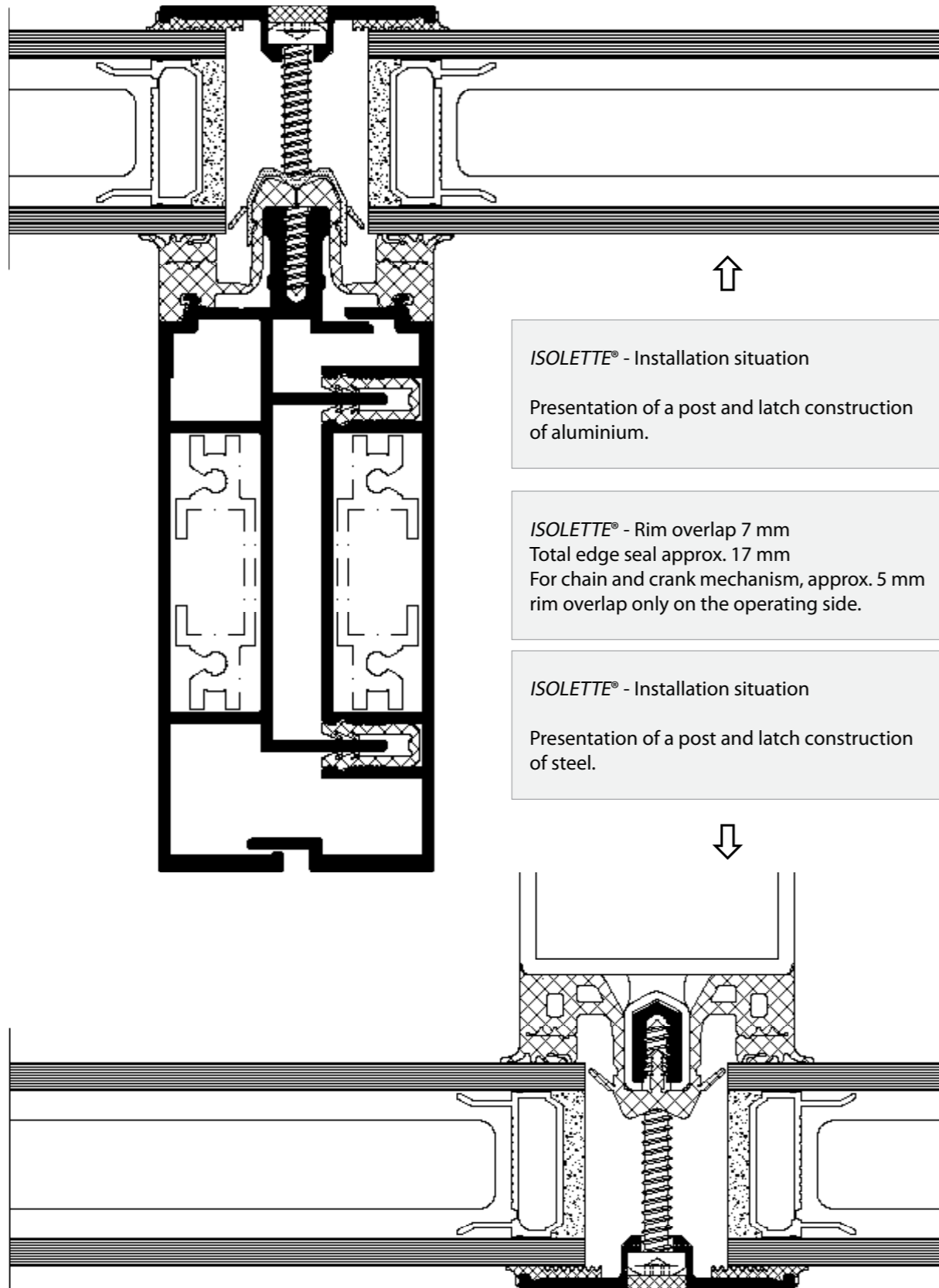


**ISOLETTE® - Installation situation/post and latch construction**



*ISOLETTE®* - Installation situation  
Presentation of a post and latch construction of aluminium.

*ISOLETTE®* - Rim overlap 7 mm  
Total edge seal approx. 17 mm  
For chain and crank mechanism, approx. 5 mm rim overlap only on the operating side.

*ISOLETTE®* - Installation situation  
Presentation of a post and latch construction of steel.

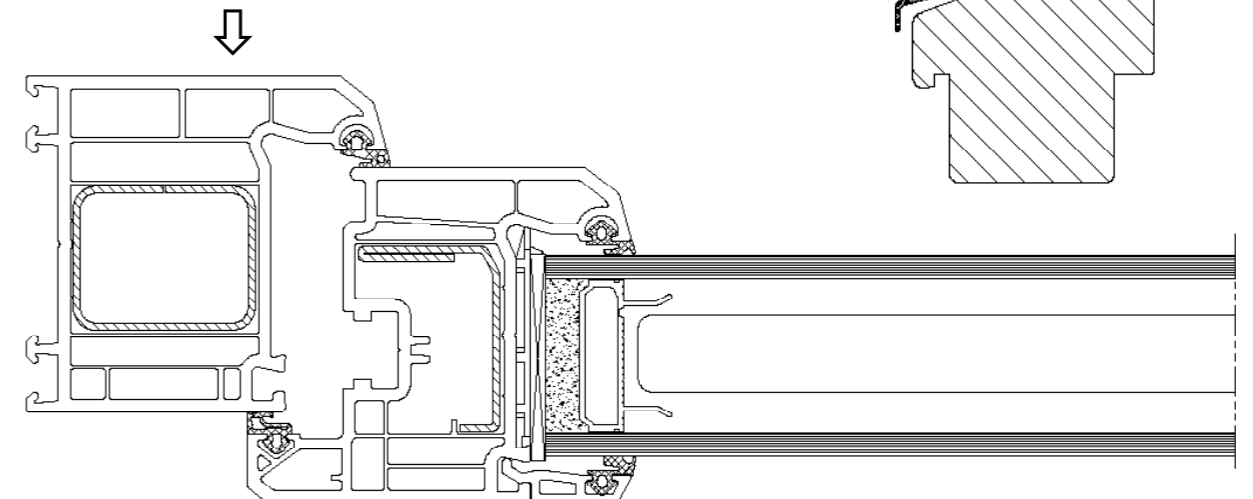
Subject to technical modifications.

**ISOLETTE® - Installation situation/window frame construction**

*ISOLETTE®* - Installation situation  
Presentation for installation in a wooden window.

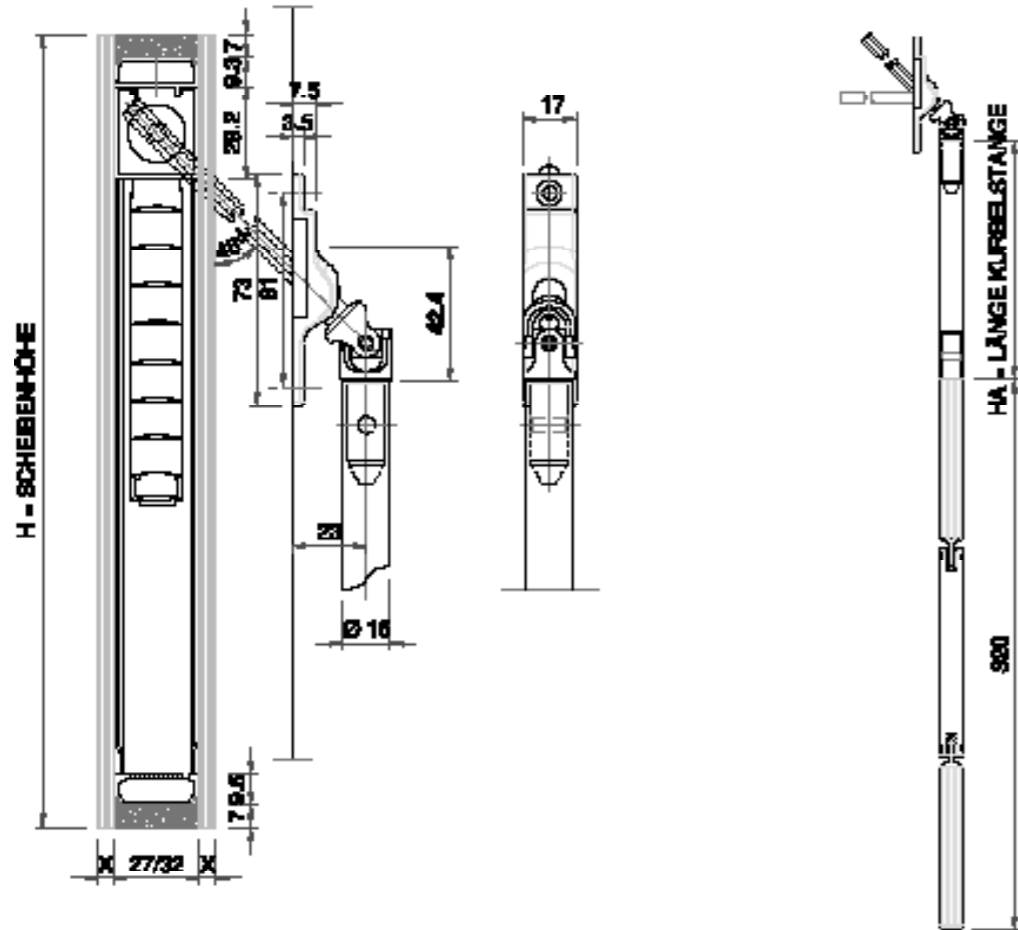
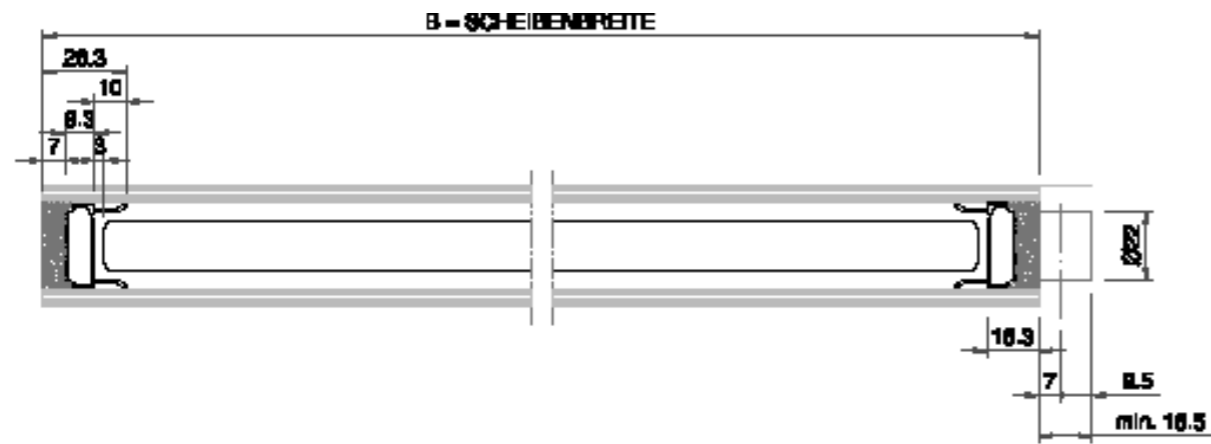


*ISOLETTE®* - Installation situation  
Presentation for the installation in a plastic window.



Subject to technical modifications.

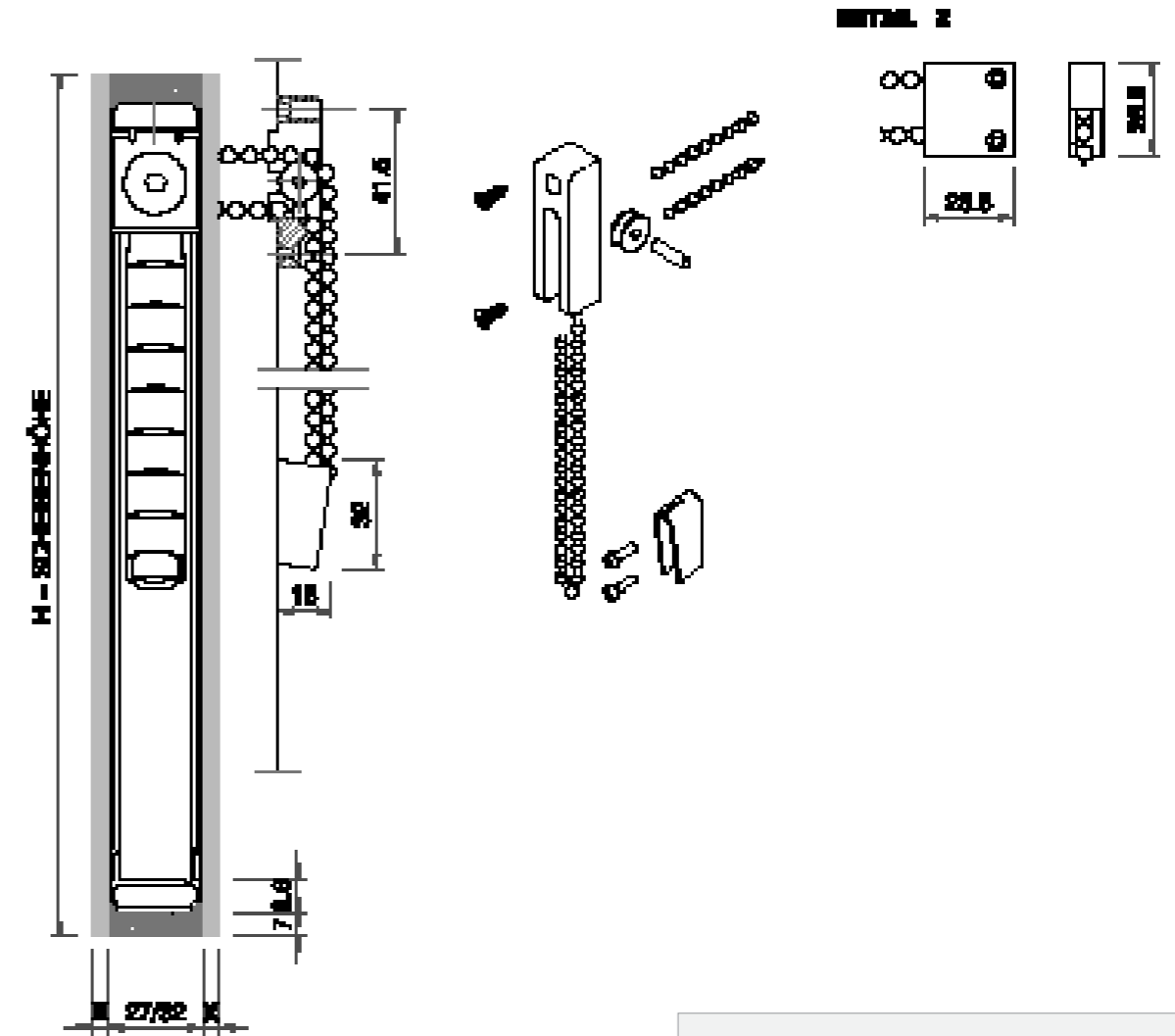
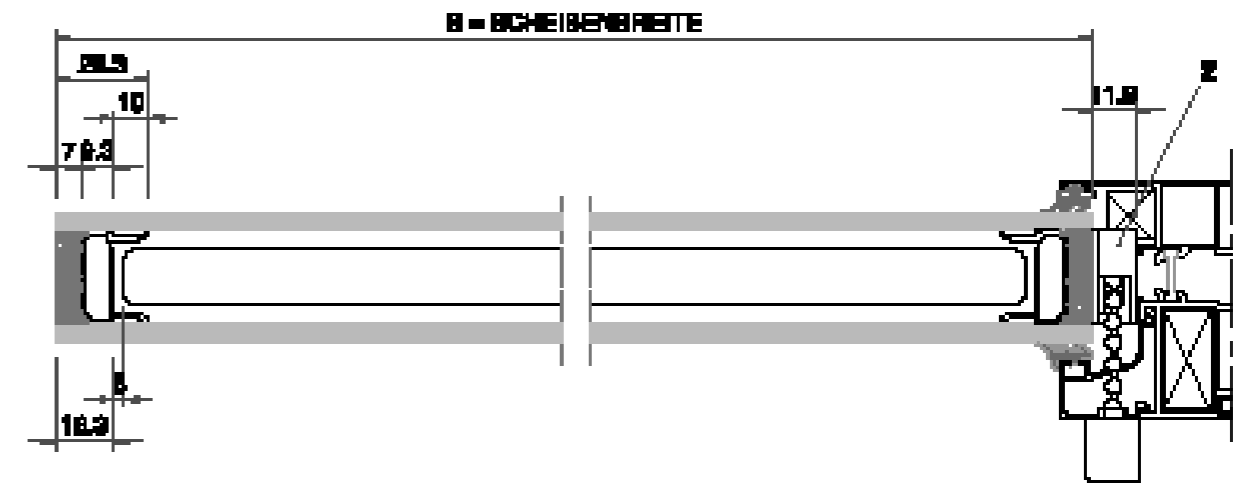
ISOLETTE® - Type I-09 Crank/sectional drawing



ISOLETTE® - Rim overlap 7 mm  
Total edge seal approx. 17 mm  
For chain and crank mechanism, approx. 5 mm rim overlap only on the operating side.

Subject to technical modifications.

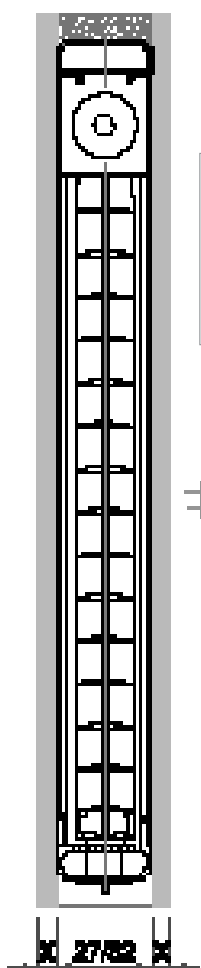
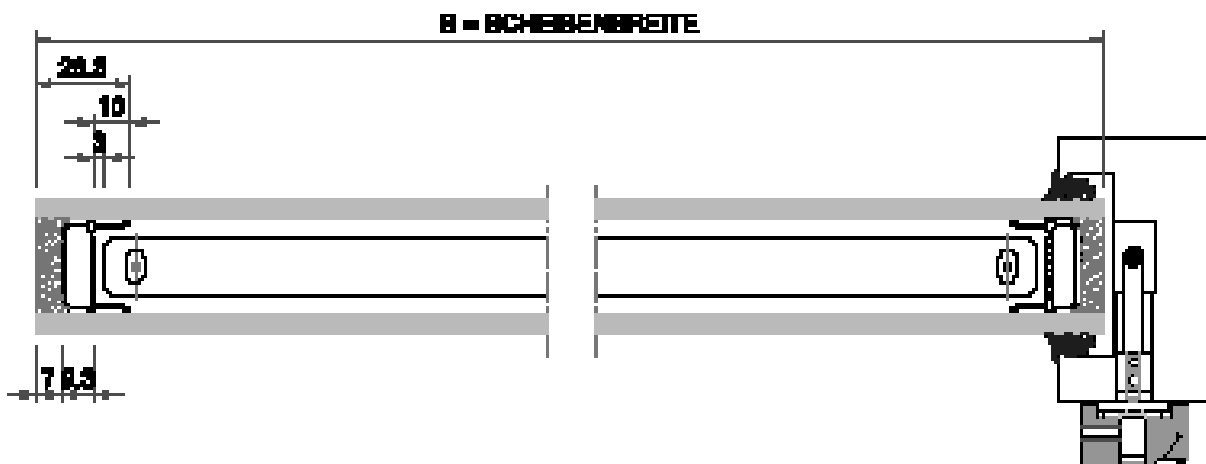
ISOLETTE® - Type I-10 Bead chain/sectional drawing



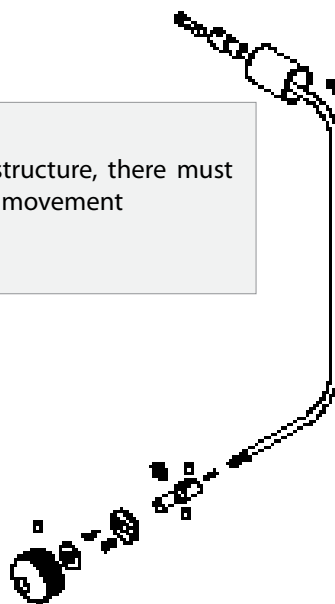
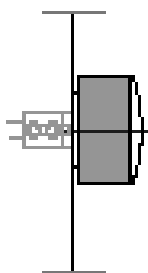
ISOLETTE® - Rim overlap 7 mm  
Total edge seal approx. 17 mm  
For chain and crank mechanism, approx. 5 mm rim overlap only on the operating side.

Subject to technical modifications.

ISOLETTE® - Type I-11 Rotary knob/sectional drawing



When installed in this structure, there must be sufficient freedom of movement of the flexible shaft.



ISOLETTE® - Rim overlap 7 mm  
Total edge seal approx. 17 mm  
For chain and crank mechanism, approx. 5 mm rim overlap only on the operating side.